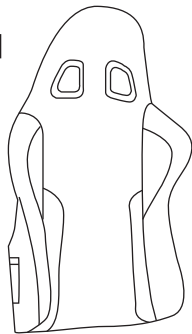

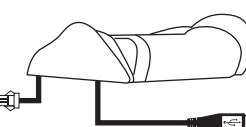

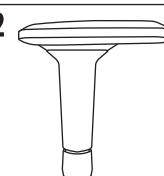

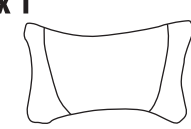
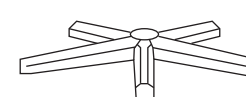
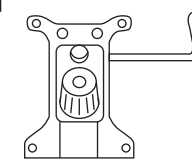
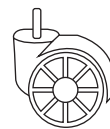

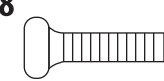


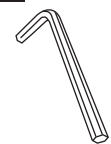
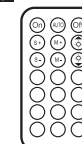
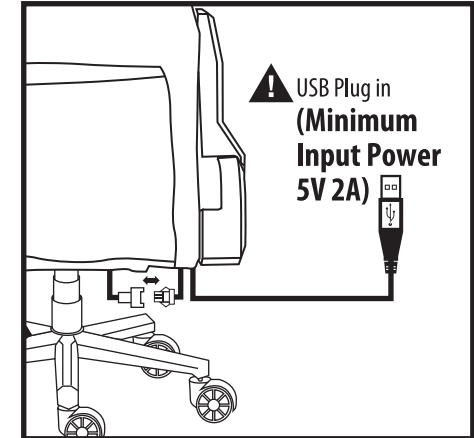
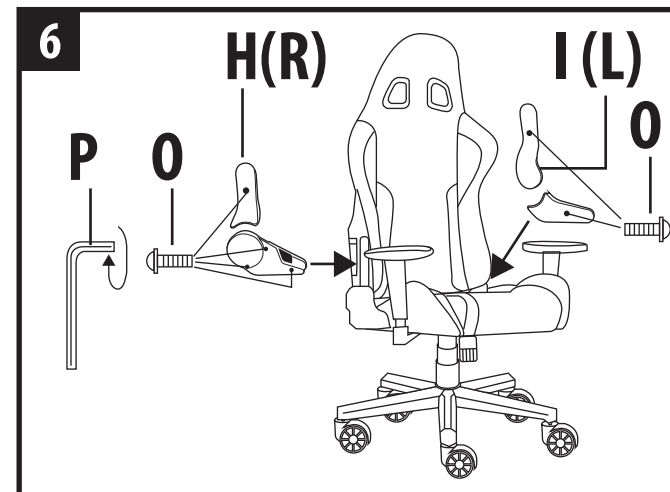
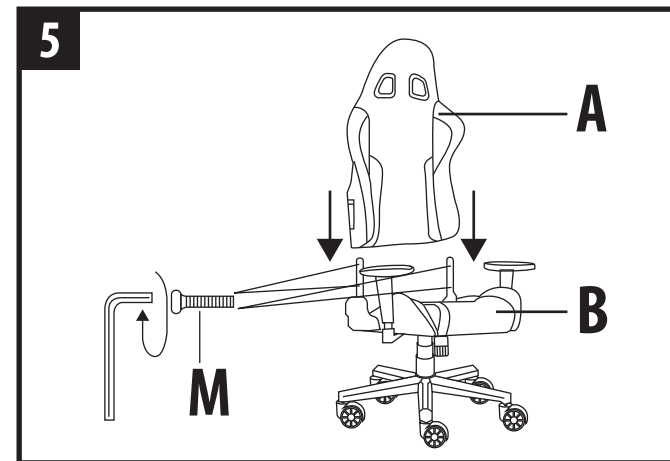
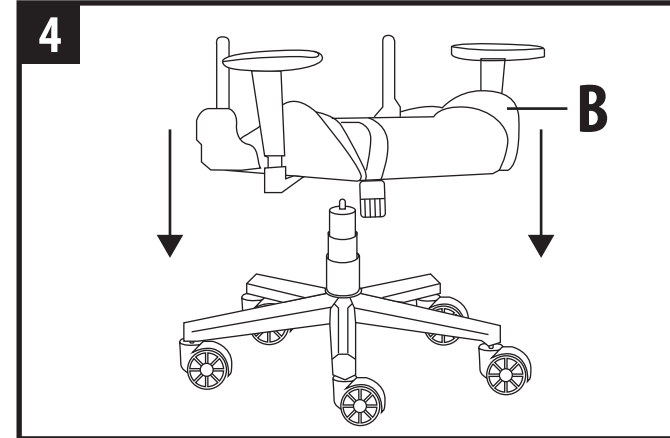
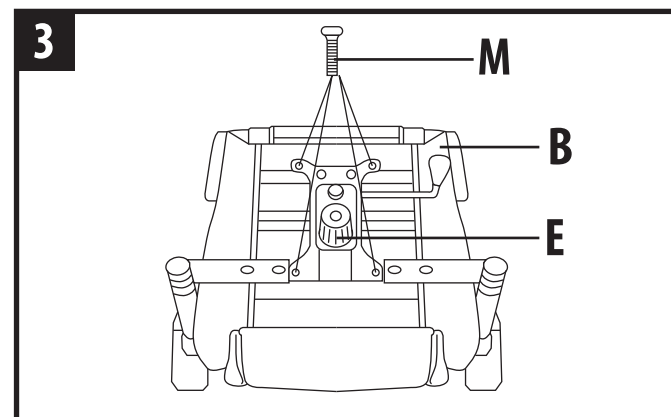
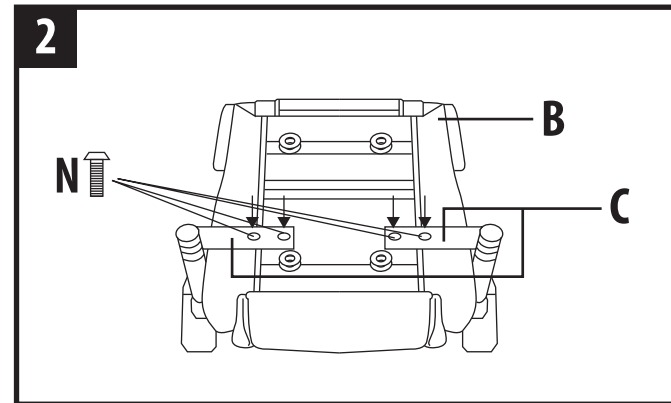
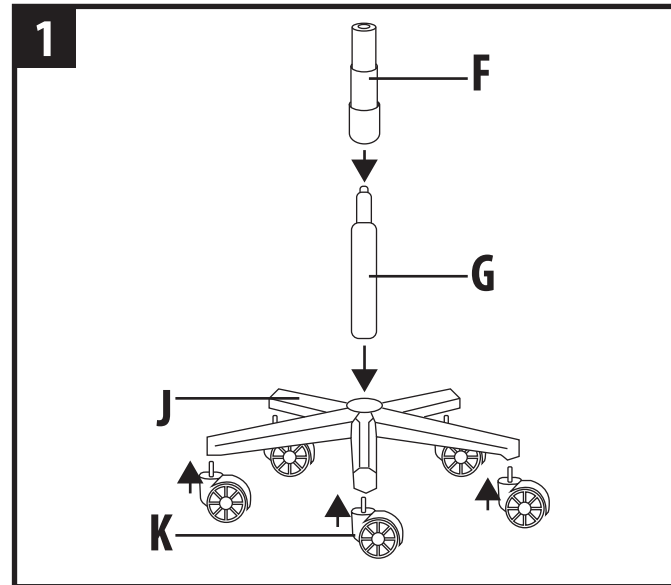


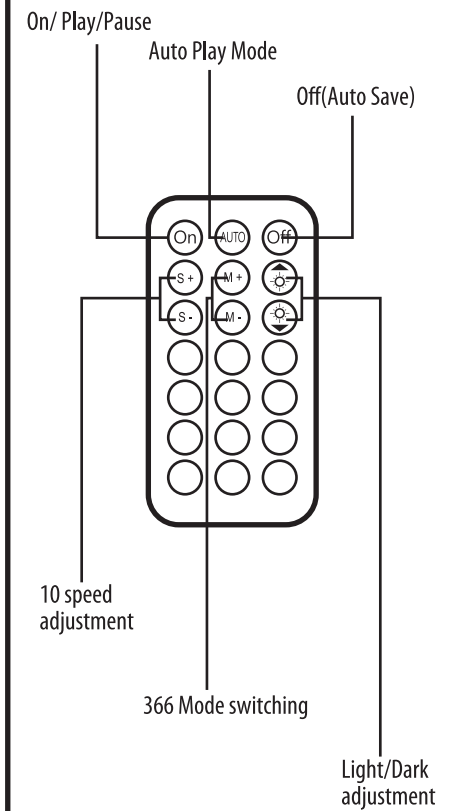
DRAGON

GC-015-RGB Assembly Instructions

A x1 	G x1 
B x1 	H x1(R) 
C x2 	I x1(L) 
D x1 	J x1 
E x1 	K x5 
F x1 	M x8  8 x 20
	N x4  8 x 16
	O x6  5 x 8
	P x1 
	Q x1 



RGB Remote Control



⚠ USB Plug in (Minimum Input Power 5V 2A)